

Colours	2
Front wheels	3
Rear wheels	6
wheel accessories	10
Seat cushions and covers	13
Accessories	14
Old stocks brakes	15
Old stocks push handles	17

Components | Colours

Article-N°
old system* Article-N°
new system** Description

Ultra-Light
Compact
Champion
Fusion
K-Serie
Küschall Kid
Kid Compet.

Standard colours (powder-coated)							
.922	-9005	black, glossy	●	●	●	●	●
.924	-9119	black, bronze	●	●	●	●	●
.927	-5969	royal blue	●	●	●	●	●
.926	-3524	royal red	●	●	●	●	●
.928	-0427	royal violet	●	●	●	●	●
.934	-6207	royal green	●	●	●	●	●
.930	-0412	ice blue	●	●	●	●	●
.931	-0413	sunset	●	●	●	●	●
.427	-0427	mystic purple	●	●	●	●	●
.426	-0426	sapphire blue	●	●	●	●	●
.425	-0425	xanthic yellow	●	●	●	●	●
.424	-0424	cyber green	●	●	●	●	●
.934	-5234	neon green					●
.937	-2150	neon yellow					●
.923	-0419	silver grey	●	●	●	●	●

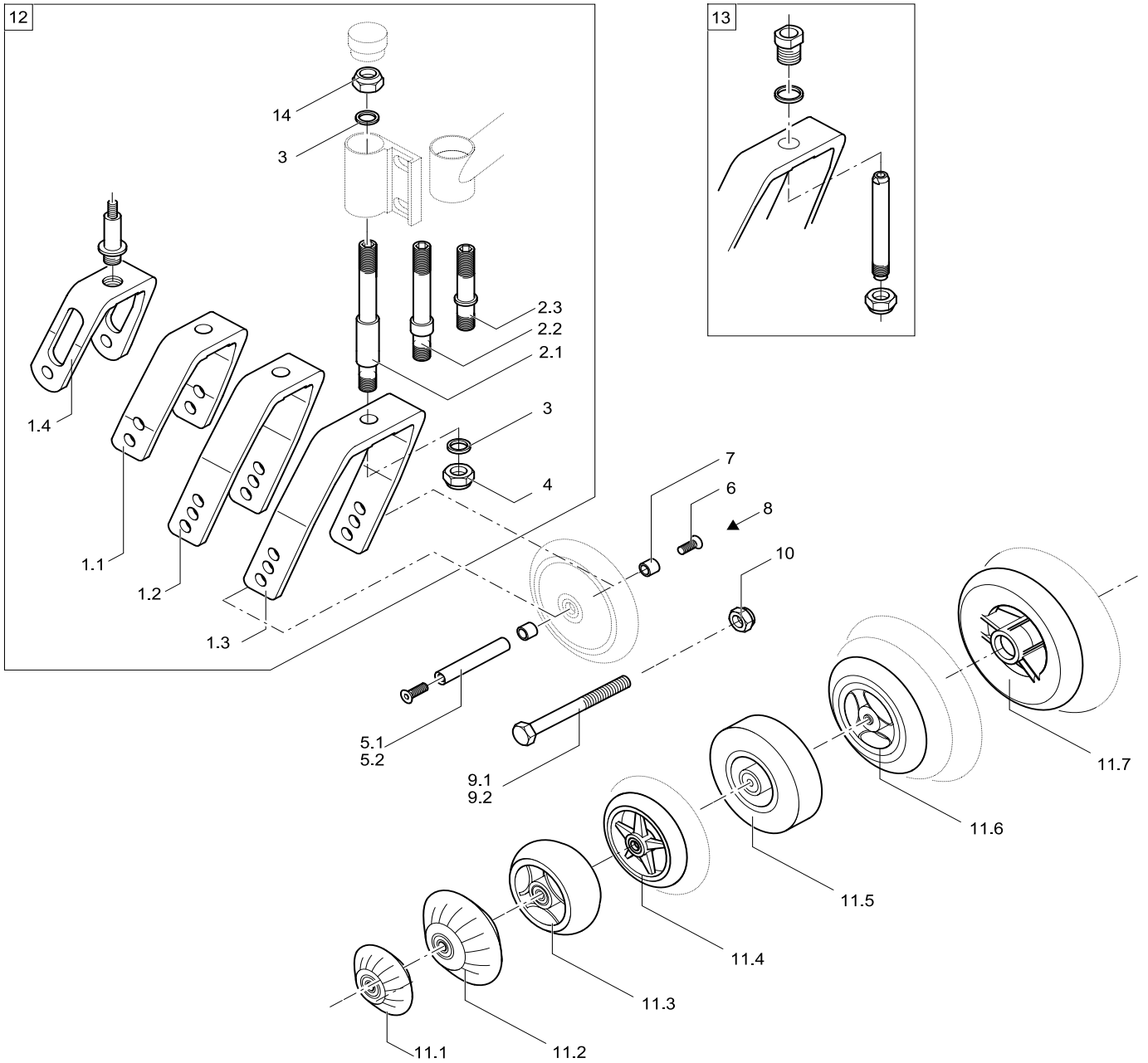
Colour-Power-Set (CPS)			<i>(only with 24" wheels)</i>				
.950	-0400	techno-anthrazit	●	●	●	●	●
.951	-0401	lemon	●	●	●	●	●
.954	-0402	apricot	●	●	●	●	●
.955	-0403	fashion violett	●	●	●	●	●
.957	-0404	b-blue	●	●	●	●	●
.960	-0407	colourless (only for Starec front wheels)	●	●	●	●	●
.961	-0408	black (only for Starec front wheels)	●	●	●	●	●
.956	-0004	black anodized (only for front fork)	●	●	●	●	●

Polished frames							
.899	-0410	mirror natural			●	●	●
.938	-0415	mirror blue			●	●	●
.422	-0422	mirror ice blue			●	●	●
.420	-0420	mirror rot			●	●	●
.421	-0421	mirror violett			●	●	●
.423	-0423	mirror sunset			●	●	●

* Article numbers old system: 123.4567.xxx

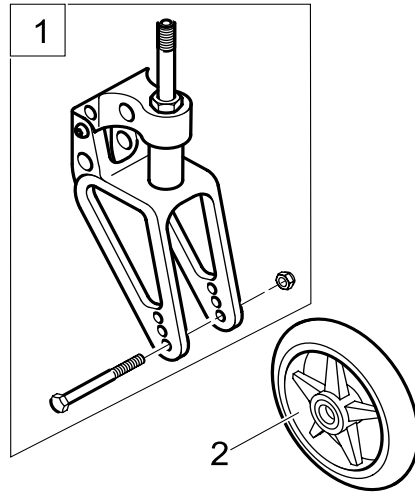
** Article numbers new system: 1234567-yyyy

Components | Front wheels



Item	Article-N°	Description	reqir. item/ chair	3" Sportrad	4" Skaterad	4" LeichtlaufR.	4" Starec Rad	5" Starec Rad	5" Softroll Rad	5" Sportrad	6" Sportrad	7" Sportrad	6" Lufttrad	7" Lufttrad
1.1	671.1035.cps	Fork 5"	2	●	●	●	●	●	●					
1.2	671.1034.cps	Fork 8"	2		●	●	●	●	●	●	●	●		
1.3	671.1038.956	Fork 8" wide for 7" pneumatic wheel	2											●
1.4	903.1043.cps	Fork 4" AirLite complete	2	●			●							
2.1	500.1078	Fork shaft long	2	●	●	●	●	●	●	●	●	●	●	●
2.2	500.1077	Fork shaft short	2	●	●	●	●	●	●	●	●	●	●	●
2.3	500.1092	Fork shaft special K3-K4	2	●	●	●	●	●						
2.4	500.1120.000	Fork shaft AirLite	2	●		●								
3	150.5006	Butt strap rings 12/16x2	2	●	●	●	●	●	●	●	●	●	●	●
4	109.5004	Lock nut	2	●	●	●	●	●	●	●	●	●	●	●
5.1	500.1126	Front wheel axle	2	●	●	●	●	●	●	●	●	●		
5.2	500.1127.000	Front wheel axle for 7" pneumatic wheel	2											●
5.3	500.1122.000	Front wheel axle AirLite	2											
6	1420946	Bolt, CoHd, HexSoc M6x10	4											●
7.1	305.1078	Distance sleeve 10.2	4	●	●		●	●						
7.2	1420969	Distance sleeve 6	4		●									

Components | Front wheel FrogLeg

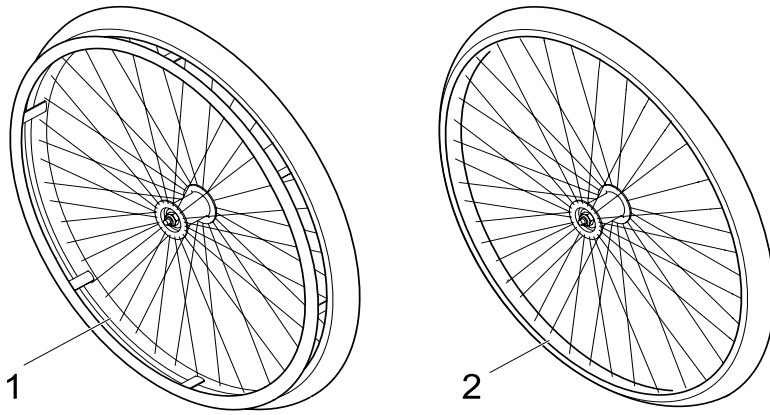


<i>Item</i>	<i>Article-N°</i>	<i>Description</i>	<i>reqir. item/ chair</i>
1	903.1038.000	Frog leg 4" fork, pair complete	1
1	903.1039.000	Frog leg 5" fork, pair complete	1
2	1420968-cps	4" Starec wheel	1
2	732.1032.cps	5" Starec wheel	1

Nicht für Ultra-Light04, Compact04 und K-Serie

Components | Standard rear wheels

Rear wheel, complete with standard hub

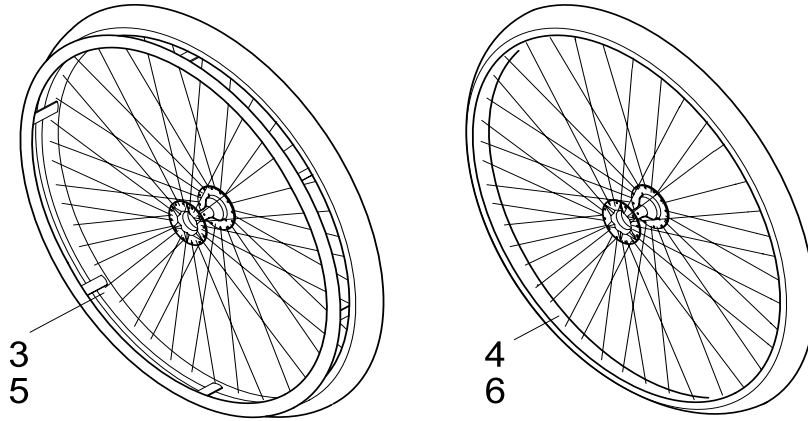


K-Series: 24"-wheels only
 Kid-Competition: 20" and 22" wheels only
 Küschall-Kid: 20", 22" and 24" wheels only

Item	Article-N°	Description	reqir. item/ chair
1	904.1177	Wheel 20", standard hub, without handrim, Smooth running	2
1	904.1178	Wheel 22", standard hub, without handrim, Smooth running	2
1	1416881	Wheel 24", standard hub, handrim, Smooth running	2
1	904.1183	Wheel 26", standard hub, without handrim, Smooth running	2
1	904.1067	Wheel 20", standard hub, handrim, Tread	2
1	904.1054	Wheel 22", standard hub, handrim, Tread	2
1	904.1005	Wheel 24", standard hub, handrim, Tread	2
1	904.1069	Wheel 20", standard hub, handrim, Indoor sports	2
1	904.1066	Wheel 22", standard hub, handrim, Indoor sports	2
1	904.1006	Wheel 24", standard hub, handrim, Indoor sports	2
1	904.1088	Wheel 26", standard hub, handrim, Indoor sports	2
2	904.1179	Wheel 20", standard hub, without handrim, Smooth running	2
2	904.1180	Wheel 22", standard hub, without handrim, Smooth running	2
2	1416883	Wheel 24", standard hub, without handrim, Smooth running	2
2	904.1184	Wheel 26", standard hub, without handrim, Smooth running	2
2	904.1167	Wheel 20", standard hub, without handrim, Tread	2
2	904.1169	Wheel 22", standard hub, without handrim, Tread	2
2	904.1171	Wheel 24", standard hub, without handrim, Tread	2
2	904.1168	Wheel 20", standard hub, without handrim, Indoor sports	2
2	904.1170	Wheel 22", standard hub, without handrim, Indoor sports	2
2	904.1174	Wheel 24", standard hub, without handrim, Indoor sports	2
2	904.1176	Wheel 26", standard hub, without handrim, Indoor sports	2

Components | Standard rear wheels

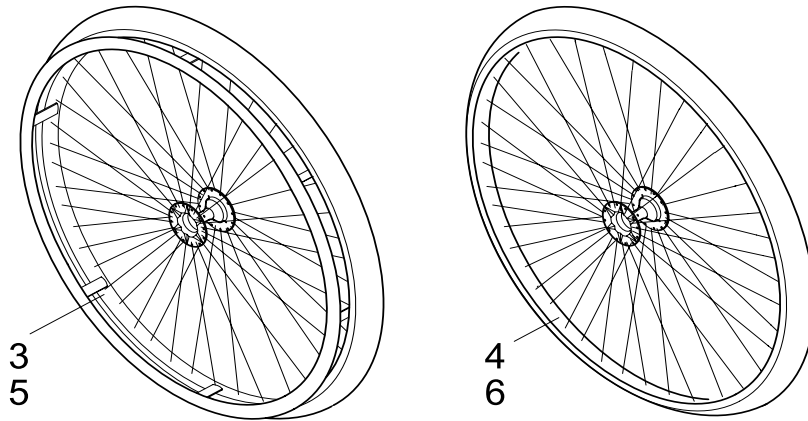
Rear wheel, complete with Starec hub, crossed



Item	Article-N°	Description	reqir. item/ chair
3	904.1185	Wheel 20", Starec hub X, handrim, Smooth running	2
3	904.1186	Wheel 22", Starec hub X, handrim, Smooth running	2
3	1416884	Wheel 24", Starec hub X, handrim, Smooth running	2
3	904.1187	Wheel 26", Starec hub X, handrim, Smooth running	2
3	904.1121	Wheel 20", Starec hub X, handrim, Tread	2
3	904.1123	Wheel 22", Starec hub X, handrim, Tread	2
3	904.1125	Wheel 24", Starec hub X, handrim, Tread	2
3	904.1122	Wheel 20", Starec hub X, handrim, Indoor sports	2
3	904.1124	Wheel 22", Starec hub X, handrim, Indoor sports	2
3	904.1135	Wheel 24", Starec hub X, handrim, Indoor sports	2
3	904.1129	Wheel 26", Starec hub X, handrim, Indoor sports	2
4	904.1188	Wheel 20", Starec hub X, without handrim, Smooth running	2
4	904.1189	Wheel 22", Starec hub X, without handrim, Smooth running	2
4	904.1142	Wheel 24", Starec hub X, without handrim, Smooth running	2
4	904.1190	Wheel 26", Starec hub X, without handrim, Smooth running	2
4	904.1136	Wheel 20", Starec hub X, without handrim, Tread	2
4	904.1139	Wheel 22", Starec hub X, without handrim, Tread	2
4	904.1141	Wheel 24", Starec hub X, without handrim, Tread	2
4	904.1137	Wheel 20", Starec hub X, without handrim, Indoor sports	2
4	904.1140	Wheel 22", Starec hub X, without handrim, Indoor sports	2
4	904.1144	Wheel 24", Starec hub X, without handrim, Indoor sports	2
4	904.1146	Wheel 26", Starec hub X, without handrim, Indoor sports	2

Components | Standard rear wheels

Rear wheel, complete with Starec hub, radial

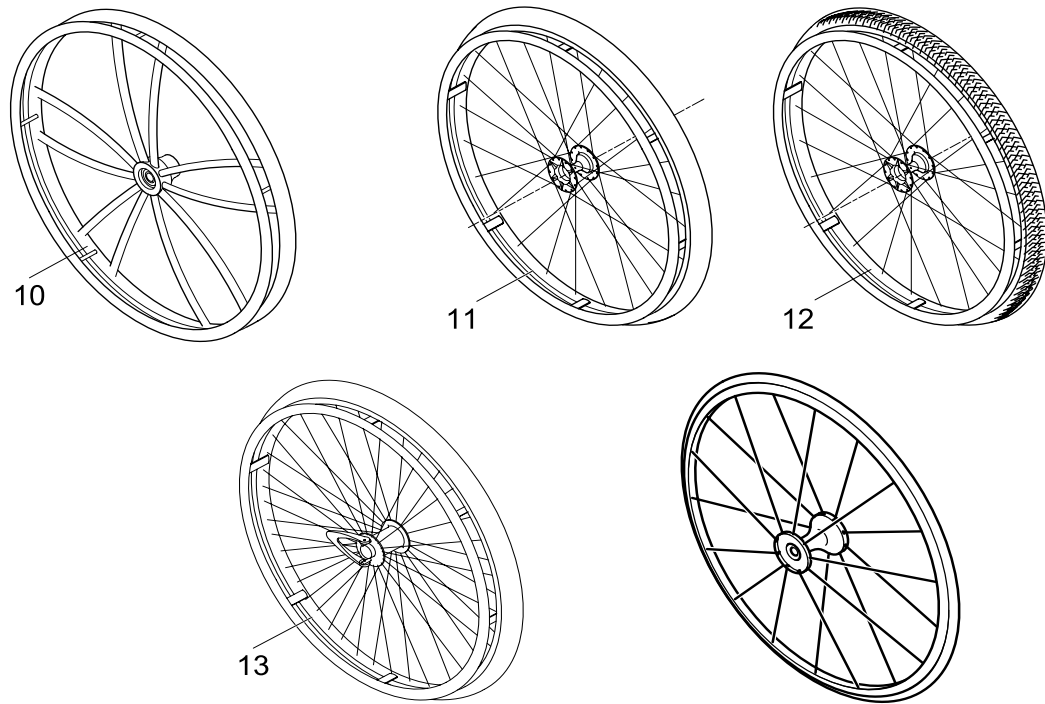


Item	Article-N°	Description	reqir. item/ chair
5	904.1191	Wheel 20", Starec hub R, handrim, Smooth running	2
5	904.1192	Wheel 22", Starec hub R, handrim, Smooth running	2
5	904.1152	Wheel 24", Starec hub R, handrim, Smooth running	2
5	904.1193	Wheel 26", Starec hub R, handrim, Smooth running	2
5	904.1147	Wheel 20", Starec hub R, handrim, Tread	2
5	904.1149	Wheel 22", Starec hub R, handrim, Tread	2
5	904.1151	Wheel 24", Starec hub R, handrim, Tread	2
5	904.1148	Wheel 20", Starec hub R, handrim, Indoor sports	2
5	904.1150	Wheel 22", Starec hub R, handrim, Indoor sports	2
5	904.1134	Wheel 24", Starec hub R, handrim, Indoor sports	2
5	904.1155	Wheel 26", Starec hub R, handrim, Indoor sports	2
6	904.1194	Wheel 20", Starec hub R, without handrim, Smooth running	2
6	904.1195	Wheel 22", Starec hub R, without handrim, Smooth running	2
6	904.1161	Wheel 20", Starec hub R, without handrim, Smooth running	2
6	904.1196	Wheel 26", Starec hub R, without handrim, Smooth running	2
6	904.1156	Wheel 20", Starec hub R, without handrim, Tread	2
6	904.1158	Wheel 22", Starec hub R, without handrim, Tread	2
6	904.1160	Wheel 24", Starec hub R, without handrim, Tread	2
6	904.1157	Wheel 20", Starec hub R, without handrim, Indoor sports	2
6	904.1159	Wheel 22", Starec hub R, without handrim, Indoor sports	2
6	904.1163	Wheel 24", Starec hub R, without handrim, Indoor sports	2
6	904.1165	Wheel 26", Starec hub R, without handrim, Smooth running	2

Rear wheel without handrim, without tyre

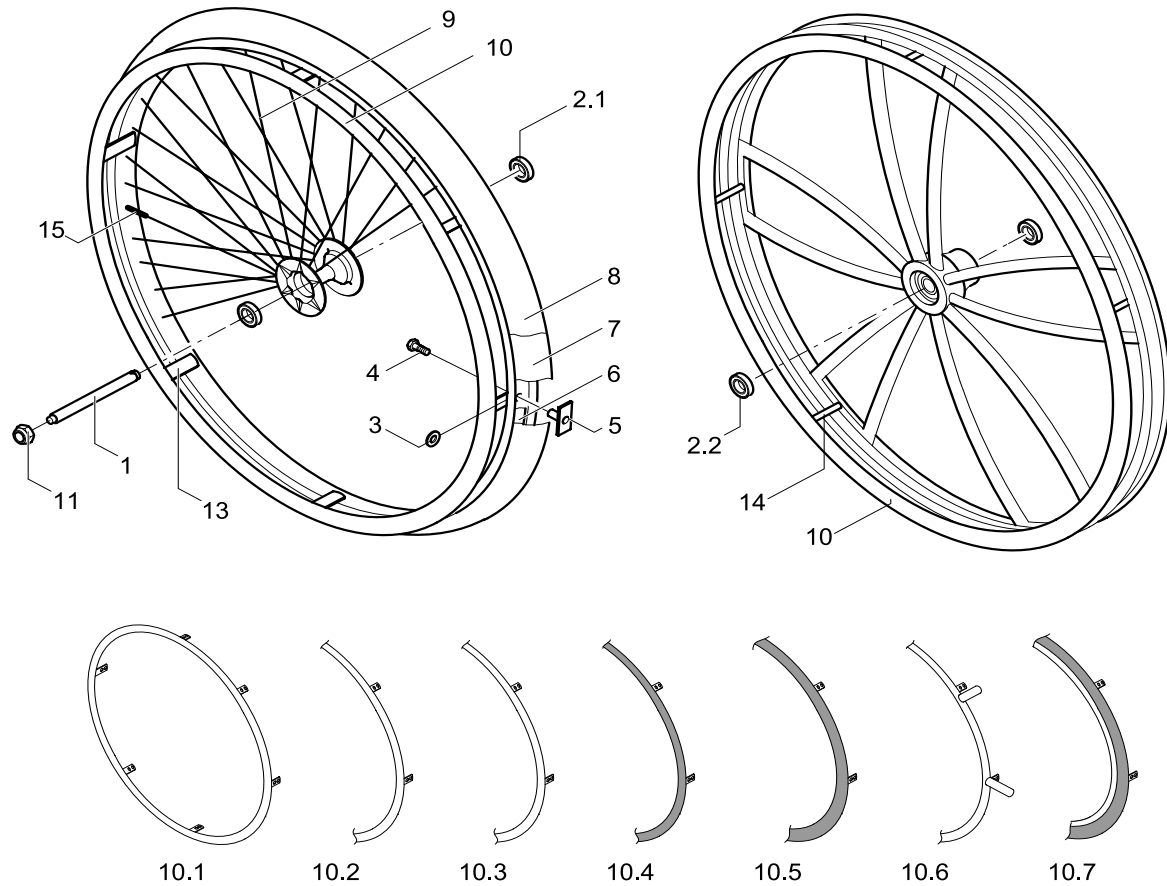
2	904.1076	Wheel 20", standard hub, without tire, without handrim	2
2	904.1077	Wheel 22", standard hub, without tire, without handrim	2
2	1416882	Wheel 24", standard hub, without tire, without handrim	2
2	904.1079	Wheel 26", standard hub, without tire, without handrim	2
4	904.1130	Wheel 20", Starec hub, X, without tire and handrim	2
4	904.1131	Wheel 22", Starec hub, X, without tire and handrim	2
4	1416885	Wheel 24", Starec hub, X, without tire and handrim	2
4	904.1133	Wheel 26", Starec hub, X, without tire and handrim	2
6	904.1080	Wheel 20", Starec hub, radial, without tire, without handrim	2
6	904.1081	Wheel 22", Starec hub, radial, without tire, without handrim	2
6	904.1082	Wheel 24", Starec hub, radial, without tire, without handrim	2
6	904.1083	Wheel 26", Starec hub, radial, without tire, without handrim	2
	904.1116	Wheel 20" for drum brake, without tire, without handrim	2
	904.1117	Wheel 22" for drum brake, without tire, without handrim	2
	904.1118	Wheel 24" for drum brake, without tire, without handrim	2
	904.1119	Wheel 26" for drum brake, without tire, without handrim	2

Components | Special rear wheels



Item	Article-N°	Description	reqir. item/ chair
10	904.1201.000	Spider wheel 24", complete with aluminum handrim (3cm)	2
10	1416977	Spider wheel 24", complete with titanium handrim (3cm)	2
10	1416978	Spider wheel 24", complete with super-grip handrim (3cm)	2
10	1420961	Spider wheel 24", complete without handrim	2
11	1420958	Wheel 24", High Performance, complete	2
11	1445479	Wheel 25", High Performance, complete	2
12	1420959	Wheel 24", Mountain Bike, complete	2
13	904.1197.000	Stop-lock rear wheel, 20", without tyre and handrim	2
13	904.1198.000	Stop lock rear wheel, 22", without tyre and handrim	2
13	904.1199.000	Stop-lock rear wheel, 24", without tyre and handrim	2
13	904.1200.000	Stop-lock rear wheel, 26", without tyre and handrim	2
14	1438747	Spinergy wheel 24" complete	2
	1445492	22" Drumbrake wheel Octopus without tyre and handrim	2
	1445493	24" Drumbrake wheel Octopus without tyre and handrim	2
	1445494	26" Drumbrake wheel Octopus without tyre and handrim	2
	1445495	22" Drumbrake wheel Octopus cpl. with handrim alu, smooth running	2
	1445496	24" Drumbrake wheel Octopus cpl. with handrim alu, smooth running	2
	1445497	26" Drumbrake wheel Octopus cpl. with handrim alu, smooth running	2
	1438987	Octopus removable axle	2
	1445479	Wheel 25", High Performance, complete	2
	1439449	Suspension wheel, pair complete	1
	1439452	Suspension wheel, right	1
	1439453	Suspension wheel, left	1
	1439454	Kit adapter sleeve for suspension wheel	1

Components | Wheel accessories

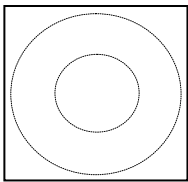


Item	Article-N°	Description		reqir. item/ chair
1	723.1001	Removable axle 1/2"x128 mm, long	not Champion	1
1	723.1030	Removable axle 1/2"x103 mm, short	Champion only	1
1	1418872	Tetra Clip incl. removable axle, long	not Champion	1
1	1418871	Tetra Clip incl. removable axle, short	Champion only	1
1	723.1068.000	Removable axle 1/2"x136, Stoplock	K-Series and Competition only	1
2.1	270.1003	Ball bearing R8-2RS 1/2"/1.1/8"x5/16"		2
2.2	1416804	Ball bearing for spider wheel		2
3	151.1005	Lock ring DUBO 6.5/12.7x3.5		6
4	107.1014	Hex. bolt ECO-fix M5x10		6
5	1416896	Locating nut M5 for handrim fixation		6
6	726.1001	Rim band for 20" wheel		1
6	726.1005	Rim band for 22" wheel		1
6	726.1008.000	Rim band for 24" wheel		1
6	726.1003	Rim band for 26" wheel		1
6	1420881	Rim band for mountain bike wheel		1
6	1420882	Rim Band for high performance wheel		1
7	727.1005	1" inner tube for 20" wheel		1
7	727.1007	1" inner tube for 22" wheel		1
7	727.1002	1" inner tube for 24" wheel		1
7	727.1003	1" inner tube for 26" wheel		1
7	1420884	MTB tube 24"		1
8.1	728.1026	Smooth running tyre 20" / 7 bar		1
8.1	728.1027	Smooth running tyre 22" / 7 bar		1
8.1	728.1007	Smooth running tyre 26" / 7 bar		1
8.1	1424749	Smooth running tyre 24"x1 (25-540), 250gr		1
8.2	728.1005	Treaded tyre 20" / 7 bar		1
8.2	728.1006	Treaded tyre 22" / 7 bar		1

Components | Wheel accessories

8.2	728.1002	Treaded tyre 24" / 7 bar		1
8.3	729.1008	Indoor sports tyre 20" / 10 bar		1
8.3	729.1006	Indoor sports tyre 22" / 10 bar		1
8.3	729.1001	Indoor sports tyre 24" / 10 bar		1
8.3	729.1002	Indoor sports tyre 26" / 10 bar		1
8.4	728.1015	KIK-Tyre 24", black, fail-safe		1
8.4	728.1023	KIK-Tyre 24", gray, fail-safe		1
8.5	1420887	MTB wheel tyre 24"x1.75		1
8.6	728.1029	Solid tyre 24", profile		1
8.6	728.1031	Solid tyre 22", light, grey		1
8.6	728.1032	Solid tyre 24", light, grey		1
9	0	Spokes upon request		
10.1	457.1024	Hand rim for 20" wheel anod. Aluminum		1
10.1	457.1023	Hand rim for 22" wheel anod. Aluminum		1
10.1	1432286-0005	Hand rim 24" anod. Aluminum	as from Apr/15/2003	2
10.1	457.1043	Hand rim for 26" wheel anod. Aluminum		1
10.1	457.1053.000	Hand rim for spider wheel anodized aluminum		1
10.1	1432287-0005	Hand rim light 24" anod. aluminum	as from Apr/15/2003	2
10.2	457.1009	Hand rim for 24" wheel polished stainless steel	polished steel	1
10.2	457.1010	Hand rim for 26" wheel polished stainless steel	polished steel	1
10.3	457.1051	Hand rim for 24" wheel Titanium	titanium	1
10.3	1416801	Hand rim for spider wheel	titanium	1
10.4	457.1044	Hand rim for 20" wheel Super Grip		1
10.4	457.1045.429	Hand rim for 22" wheel Super Grip		1
10.4	457.1017.429	Hand rim for 24" wheel Super Grip		1
10.4	457.1046.429	Hand rim for 26" wheel Super Grip		1
10.4	1416802	Hand rim for spider wheel	Super Grip	1
10.5	905.5002	Hand rim for 24" wheel Maxgrepp (25 mm)		1
10.6	457.1018	Hand rim for 24" wheel knobs		1
10.7	457.1052.000	Hand rim for 24" wheel Tetra	Tetra	1
13	730.1003	Handrim protectors for 3cm fixation without spoke guard		6
13	730.1004	Handrim protectors for 4cm fixation without spoke guard		6
13	730.1005	Handrim protectors for 3cm fixation with spoke guard		6
13	730.1006	Handrim protectors for 4cm fixation with spoke guard		6
14	1418931	Assembly kit, spider wheel (3cm)	distance: 3cm	1
14	1418932	Assembly kit, spider wheel (4cm)	distance: 4cm	1
15	1420880	Spoke nipple, Alu MTB	12x2	36
	200.1121	Cylinder pin D4x6		2
	400.1108.000	Stop lock lever		1
	723.1068.000	Removable axle 1/2"x136, Stoplock		1
	116.1042	Headless pin M4x5		2
	901.1129.000	Stop lock mounting kit		1
	1438987	Octopus removable axle		1

Components | Spoke guards



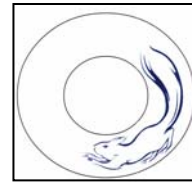
1



2



3



4



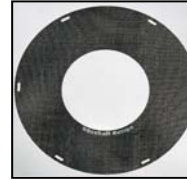
5



6



7



8

Item	Article-N°	Description	reqir. item/ chair
1	736.1006	Spoke guard Transparent 20"	1
1	736.1005	Spoke guard Transparent 22"	1
1	736.1004	Spoke guard Transparent 24"	1
1	736.1003	Spoke guard Transparent 26"	1
2	736.1012	Spoke guard "find your lifestyle" 24"	1
3	736.1002	Spoke guard Küschall, black 24"	1
4	736.1017	Spoke guard Nimbo 24"	1
5	736.1019.000	Spoke guard Boa Boa 22"	1
5	736.1015	Spoke guard Boa Boa 24"	1
6	736.1018.000	Spoke guard Clown 22"	1
6	736.1016	Spoke guard Clown 24"	1
7	736.1009	Spoke guard Cosmos Brownie 24"	1
7	736.1010	Spoke guard Cosmos Brownie 22"	1
8	736.1014	Spoke guard Carbon 24"	1
	220.1033	Spoke reflectors	1

not for Spiderwheel and High performance wheel

Components | Seat cushion and cover

Seat cushion

<i>Item</i>	<i>Article-N°</i>	<i>Description</i>	<i>reqir. item/ chair</i>
	738.1041	Cushion SW=30 SD=40 complete	
	738.1039	Cushion SW=33 SD=40 complete	
	738.1017	Cushion SW=36 SD=40 complete	
	738.1025	Cushion SW=38 to 40 SD=40 complete	
	738.1027	Cushion SW=42 SD=40 complete	
	738.1029	Cushion SW=44 to 45 SD=40 complete	
	738.1003	Cushion SW=36 SD=45 complete	
	738.1005	Cushion SW=38 to 40 SD=45 complete	
	738.1007	Cushion SW=42 SD=45 complete	
	738.1009	Cushion SW=44 to 45 SD=45 complete	
	738.1046	Cushion SW=24 SD=33 complete	
	738.1048	Cushion SW=27 SD=33 complete	
	738.1050	Cushion SW=30 SD=33 complete	
	738.1052	Cushion SW=33 SD=33 complete	
	738.1054	Cushion SW=360 SD=33 complete	
	738.1056	Cushion SW=38 to 40 SD=33 complete	
	738.1019	Cushions SW and ST custom-made	

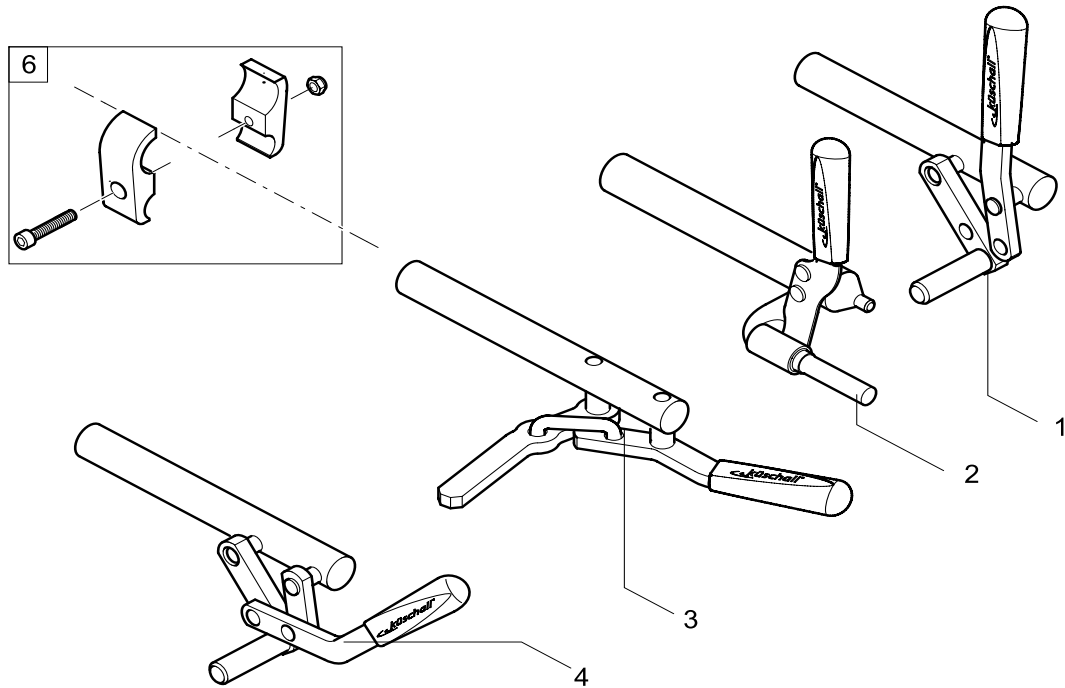
Cover for seat cushion

<i>Item</i>	<i>Article-N°</i>	<i>Description</i>	<i>reqir. item/ chair</i>
	738.1042	Cover for cushion SW=30 SD=40	
	738.1040	Cover for cushion SW=33 SD=40	
	738.1018	Cover for cushion SW=36 SD=40	
	738.1026	Cover for cushion SW=38 to 40 SD=40	
	738.1028	Cover for cushion SW=42 SD=40	
	738.1030	Cover for cushion SW=44 to 45 SD=40	
	738.1004	Cover for cushion SW=36 SD=45	
	738.1006	Cover for cushion SW=38 to 40 SD=45	
	738.1008	Cover for cushion SW=42 SD=45	
	738.1010	Cover for cushion SW=44 to 45 SD=45	
	738.1020	Cover for cushions with custom-made SW and ST	
	742.1006	Seat bag for cover *	

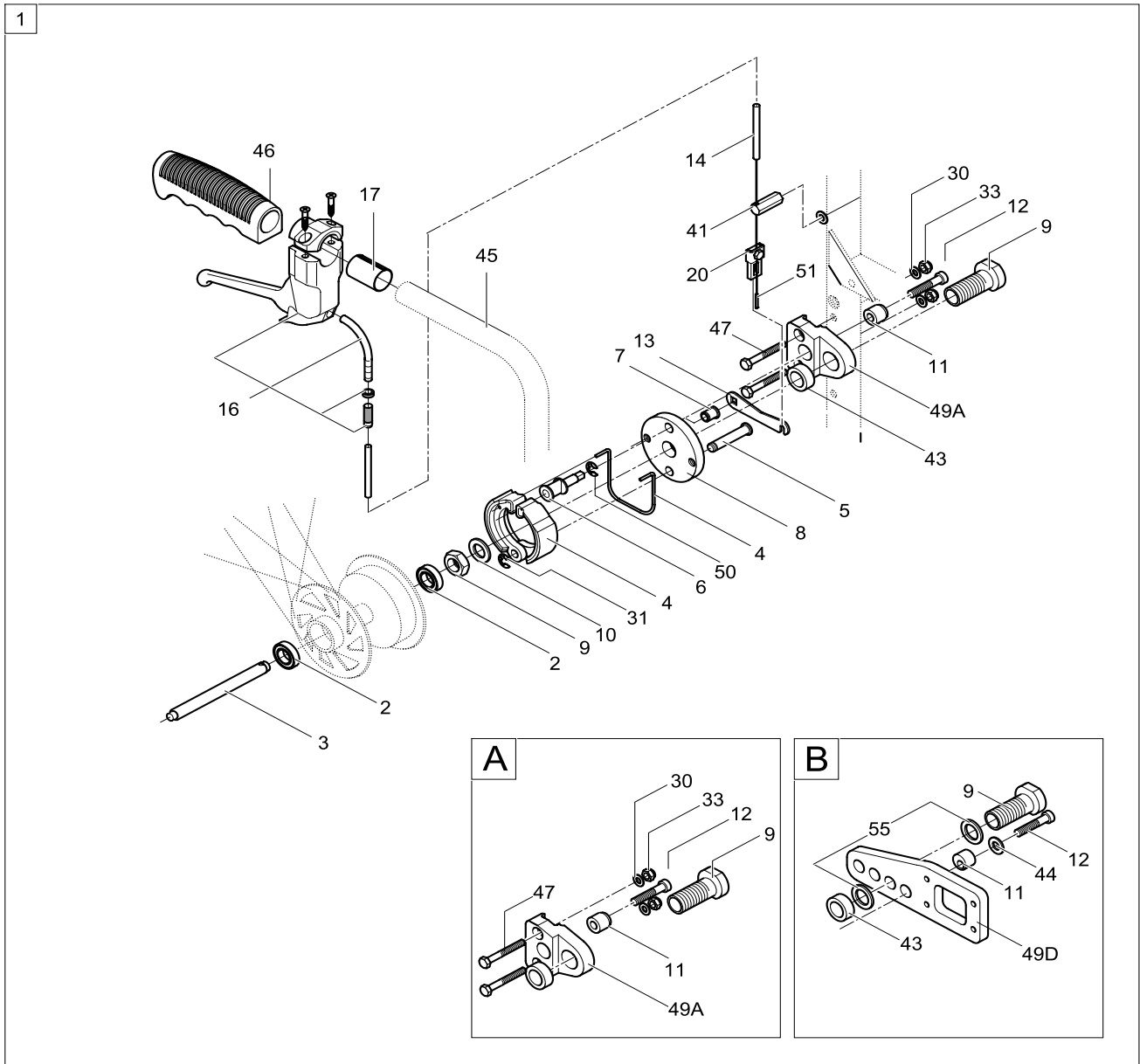
* Seat bag sewn on the cover

Components | Accessories

<i>Item</i>	<i>Article-N°</i>	<i>Description</i>	<i>reqir. item/ chair</i>
1	220.1037	Rear reflector, red, round	1
2	220.1033	Spoke reflectors	1
3	907.1183	Set of pads, ri+le	1
4	907.1192.000	Pads, right	1
5	907.1193.000	Pads, left	1
6	907.1184.000	Safety belt	1
7	1418871	Tetra Clip incl. removable axle, short	1
7	1418872	Tetra Clip incl. removable axle, long	1
8	907.1196	Clock	1
9	801.1004	Air pump	1
10	1420922	Wheel bag 'Küschall' for 24" + 26"-wheels	1
12	800.1013	Tool set	1
13	970.1041	Children backpack blue	1
14	801.1006.000	AirMan	1
15	1416873	Spare hose for AirMan	1
16	1418866	Battery charger, 12V DC for AirMan	1
17	1418867	Airman pressure gauge	1
18	1418868	Valve coupling kit for AirMan	1
19	1420800	Battery charger, 220V AC for AirMan	1
20	1420801	Spare battery for Airman	1
21	907.1158	Therapy table as from SD=42cm	1
22	907.1205.000	Table Hemi flip to side, right	1
22	907.1206.000	Table Hemi flip to side, left	1



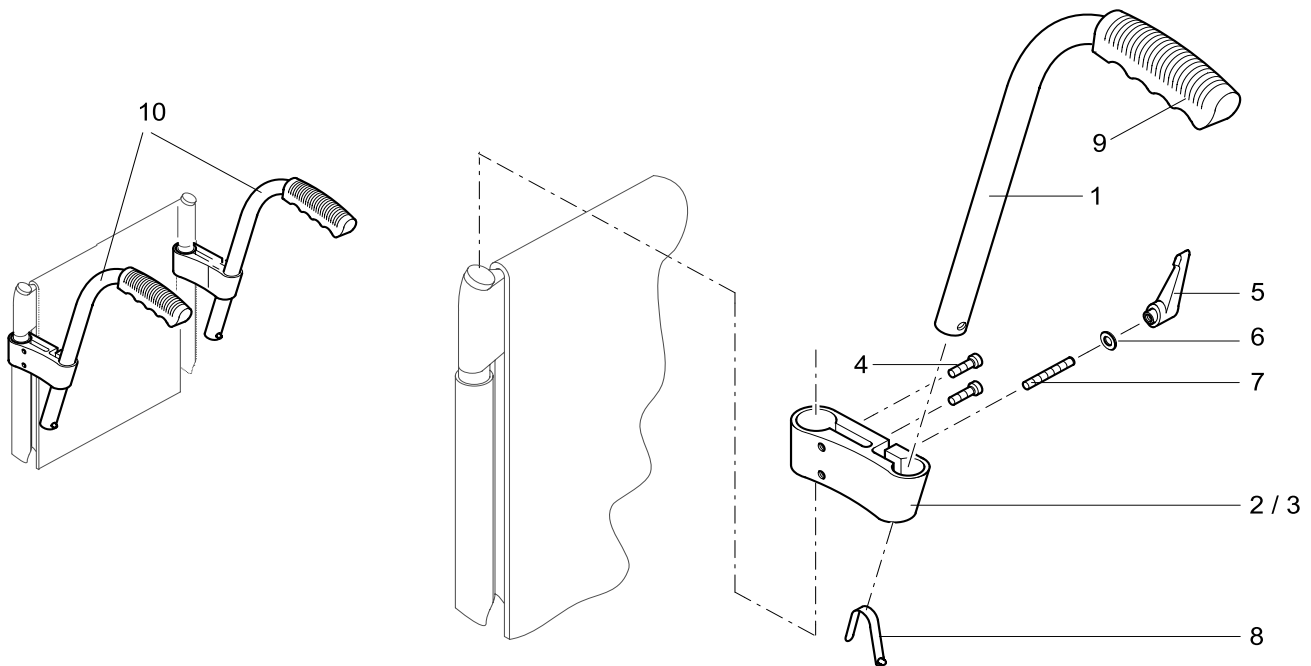
Item	Article-N°	Description	reqir. item/ chair
1	901.1069	Brake, straight lever, right	1
1	901.1070	Brake, straight lever, left	1
1	901.1076	Brake, bent lever, right	1
1	901.1077	Brake, bent lever, left	1
2	901.1037	Performance brake right	1
2	901.1038	Performance brake left	1
3	901.1115	Active brake right	1
3	901.1116	Active brake left	1
4	901.1096	Pull brake right	1
4	901.1097	Pull brake left	1
5	901.1095	Lever extension	2
		for straight lever only	
6	901.1071	Clamping set Life Concept Neo	2
6	901.1075	Clamping set Champion, K-Series	2
6	901.1074	Clamping set Competition	2



Item	Article-N°	Description	reqir. item/ chair
1A	901.1055	Drum brake for attendant with mini adapter	1
1B	901.1067	Drum brake Champion for attendant, complete	1

Push handles, inclined

up to 2003/12/31



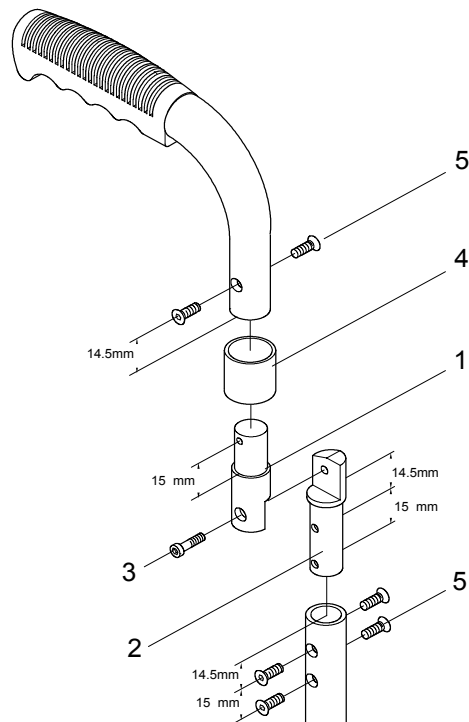
Item	Article-N°	Description	reqir. item/ chair
1	456.1529.956	Push handle tube	2
1	456.1538.255	Push handle tube for drum brake	2
2	550.1124.956	Mounting fixture left	1
3	550.1125.956	Mounting fixture right	1
4	100.1128	Bolt, cyl., HexSoc M6x20	4
5	215.1009	Handle threaded sleeve M6	2
6	161.2004	Strain washer M6	2
7	116.1133	Threaded pin with HexSoc cone cap M6X35 45H	2
8	238.1005	Spring clip, one-sided	2
9	220.1009	Push handle, black Ø18	2
10	907.1157	Push handle pair, complete (ri+le)	1
11	305.1116.000	Inlay sleeve, front	2

for titanium backrest

Assembly instructions

1. Mount item 2 to the back rest tube using item 3, thread pointing outside, assembly position according to drawing.
2. Mount Item 7 to Item 5. Secure with glue.
3. After this, mount Items 5+7 to Item 2 using Item 6 (do not tighten).
4. Fix Item 11 to Item 1.
5. Fix push handles to Item 2 and adjust .
6. Tighten pre-assembled push handle using Item 5.
7. Insert Item 9 in Item 1.

Note !
 Standard back rest cover: At the mounting fixture, (Item 2) the back rest cover must be cut out (use scissors). Weld edges using a lighter.



Item	Article-N°	Description	reqir. item/ chair
1-5	907.1031	Push handles, complete	1
1	550.1052	BR joint, upper part	2
2	550.1054	BR joint, lower part	2
3	100.1084	Bolt, cyl., HexSoc M5x12 12.9	2
4	305.1025	Lock sleeve	2

Assembly instructions

1. Drill holes in detached backrest tube (BR tube), dimensions according to drawing, (diameter of holes: 5, countersink on both sides on outside (90°) to diameter 10).
2. Drill holes in item 1 according to dimensions given in the drawing (thread M5; if necessary, countersink on both sides so that the bolt is tightened in BR tube).
3. Dito with Item 2.
4. Mount Item 1 in upper BR tube, mount Item 2 in upper BR tube using item 5. Secure bolted connection by means of glue.
5. Fix item 4 to upper part of BR tube.
6. Screw Item 1 to Item 2 using Item 3. This connection must also be secured by means of glue. Make sure that items 1+2 are not glued. Moving of the upper and lower BR tube must be possible, but there must be no play.
7. Make sure that the sleeve (Item 4) can be moved easily over Items 1 and 2.